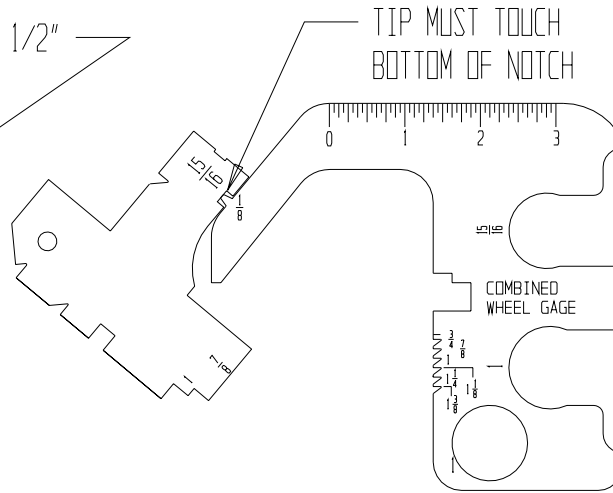
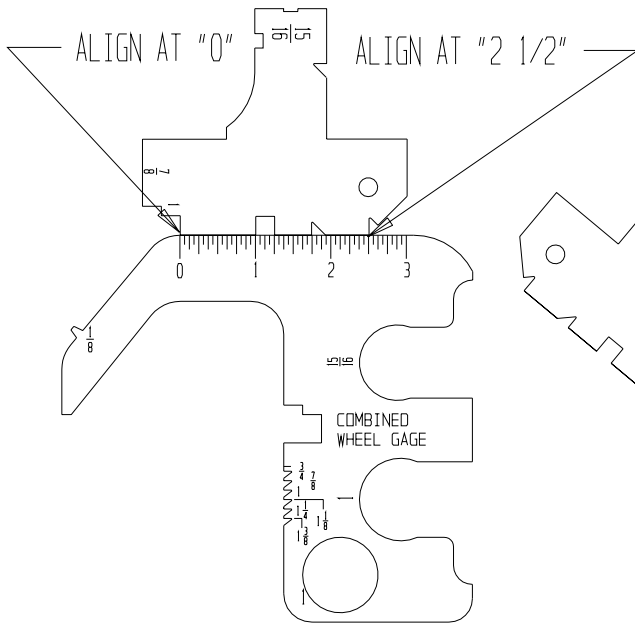


VERIFYING W620-1P & W620-2P USING MASTER GAGE W785A



VERIFY ALIGNMENT
TOP OF NOTCH
WITH "1"

