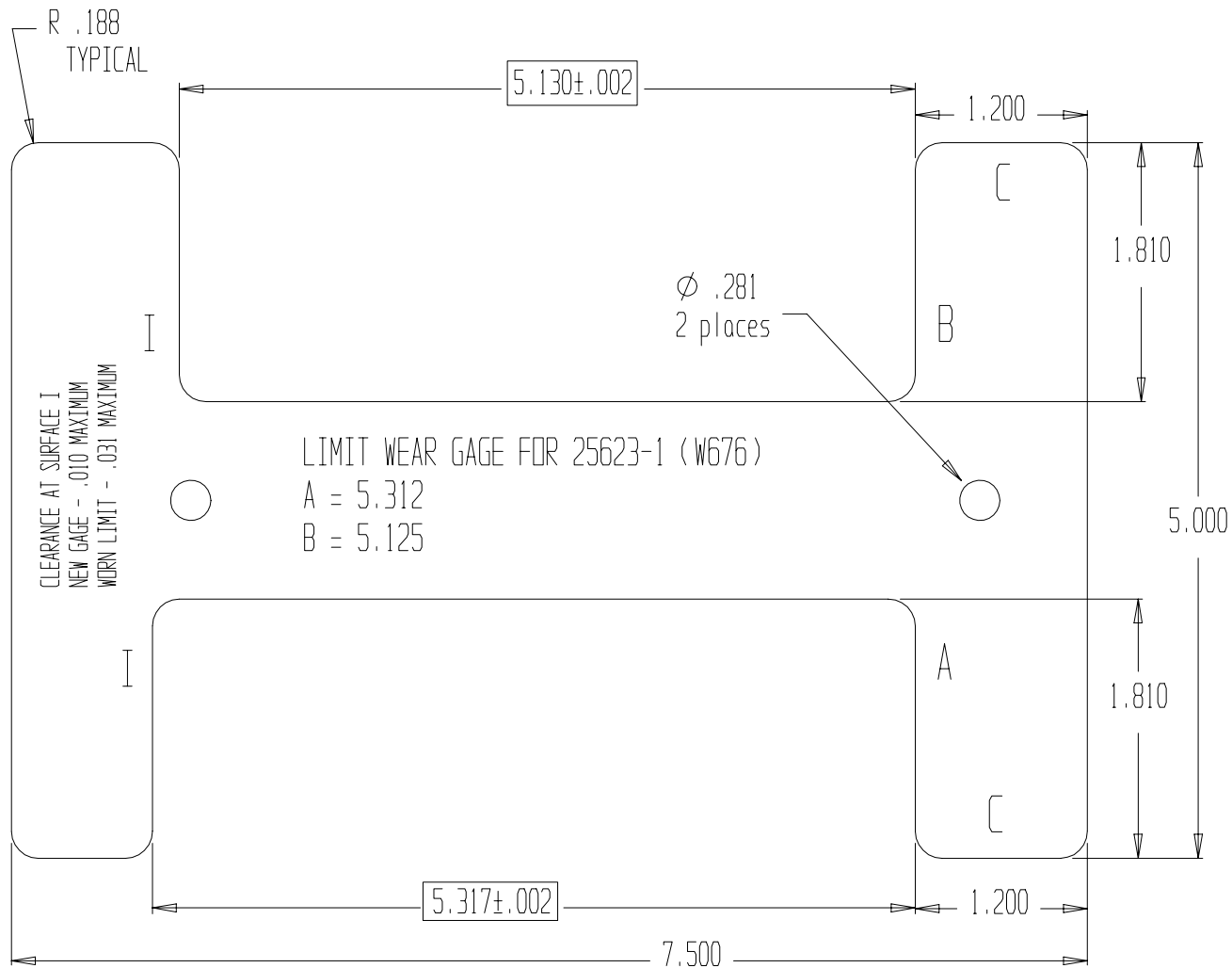


MASTER GAGE FOR CHECKING
GAGE 25623-1 (W676)



BOXED DIMENSIONS ARE MINIMUM
CHARACTERISTICS TO BE VERIFIED
FOR RECERTIFICATION
RECERTIFICATION TOLERANCE +/- .004"

MANUFACTURE TOLERANCE
UNLESS OTHERWISE SPECIFIED: +/- .030"

Material:
Stainless Steel 17-7
Thickness: 1/8"
Hardened

Scale: .75

WINCHESTER INDUSTRIES INC.

MASTER GAGE FOR 25623-1

SIZE A	Job#	DWG NO. W306	Disk	REV C
CUSTOMER WINCHESTER			ENG JCD 04/04/97	