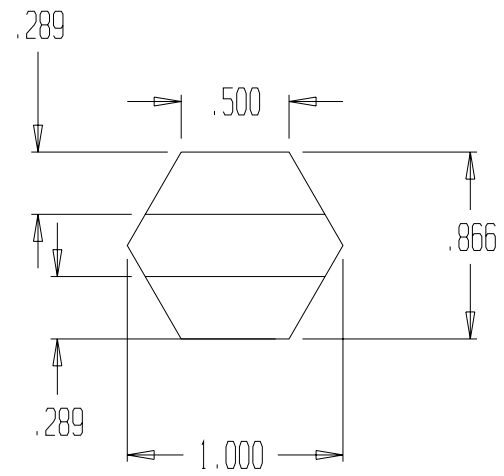


DETAIL "B"

SCALE 1X



DETAIL "B"



JOURNAL	"A"	"B"
6 X 11 & 6 1/2 x 12	66.188	2.203
7 x 12	67.188	3.203
6 1/2 X 9	69.356	5.371
6 X 8	69.148	5.163
7 X 9	69.562	5.577

WINCHESTER INDUSTRIES INC.

STANDARD FOR "U" DIMENSION GAGE

SIZE A	Job#	DWG NO. W343-1	Disk	REV A
-----------	------	-------------------	------	----------

CUSTOMER

ENG JCD 11/14/2005