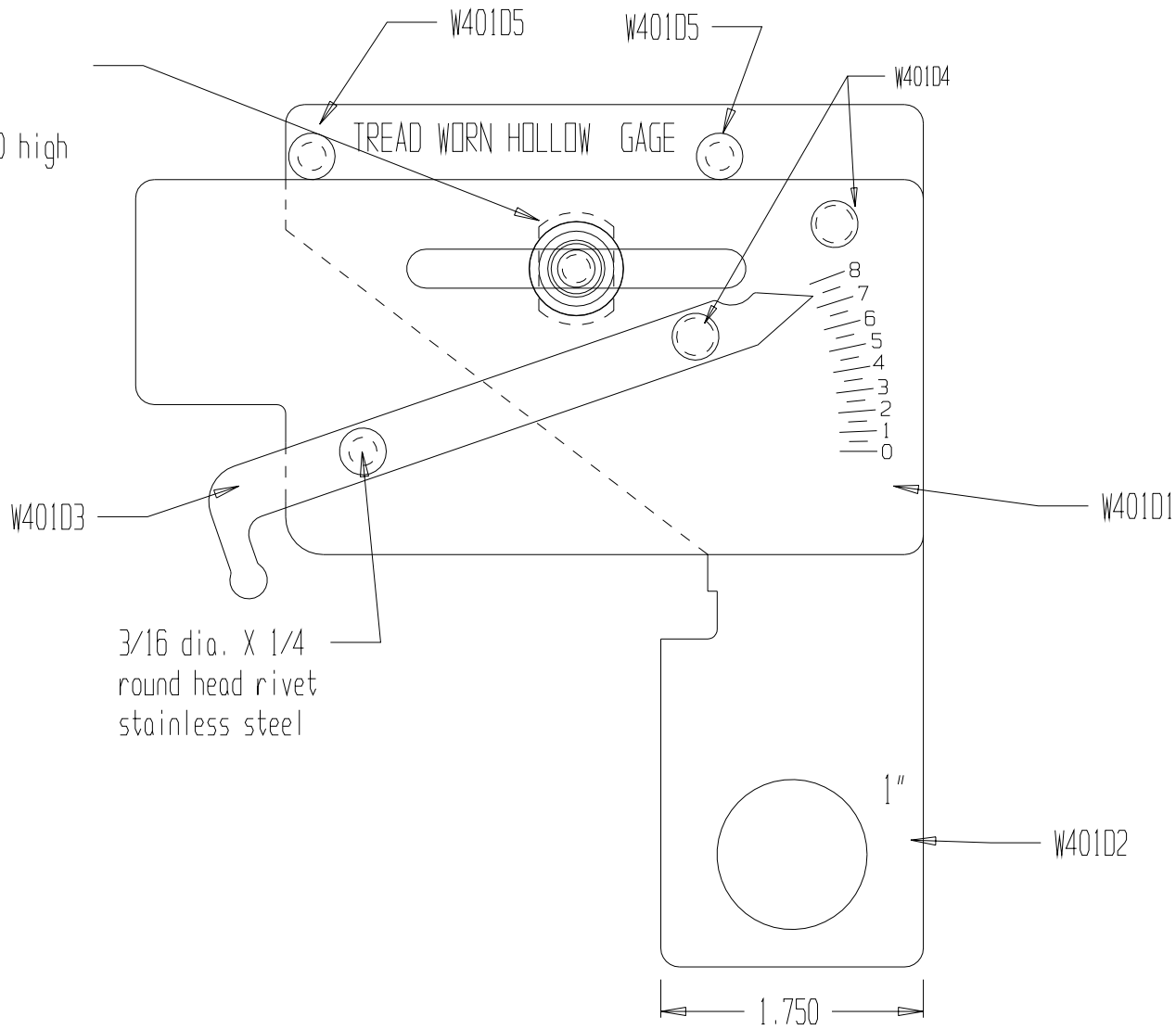
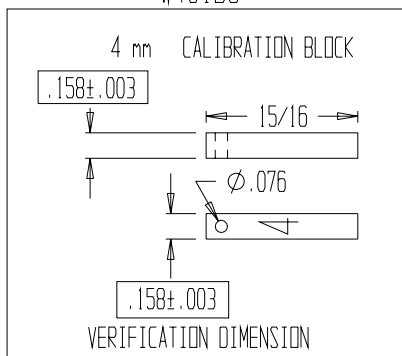


10-32 Weld Nut
 1/16 thick nylon washer
 3/8 o.d. X .285 i.d. X .500 high
 10-32 thumb screw



© 2004 WINCHESTER INDUSTRIES, INC.
 WINSTED, CT. 06098 U.S.A.
 ALL RIGHTS RESERVED.
 NO PART OF THIS DRAWING MAY BE
 REPRODUCED, IN ANY FORM OR BY
 ANY MEANS, WITHOUT THE PERMISSION
 IN WRITING FROM
 WINCHESTER INDUSTRIES, INC.

W401D6



SCALE = .75X

WINCHESTER INDUSTRIES INC.

TREAD WORN HOLLOW GAGE

SIZE A	Job#	DWG NO. W401	Disk	REV G
-----------	------	-----------------	------	----------

CUSTOMER | ENG JCD 6/03/2004