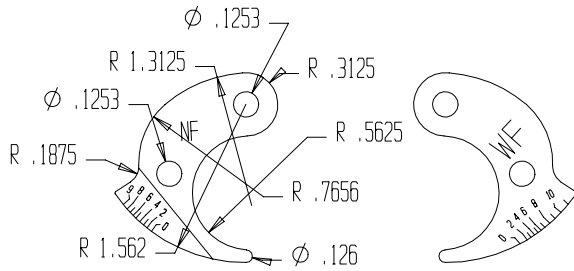
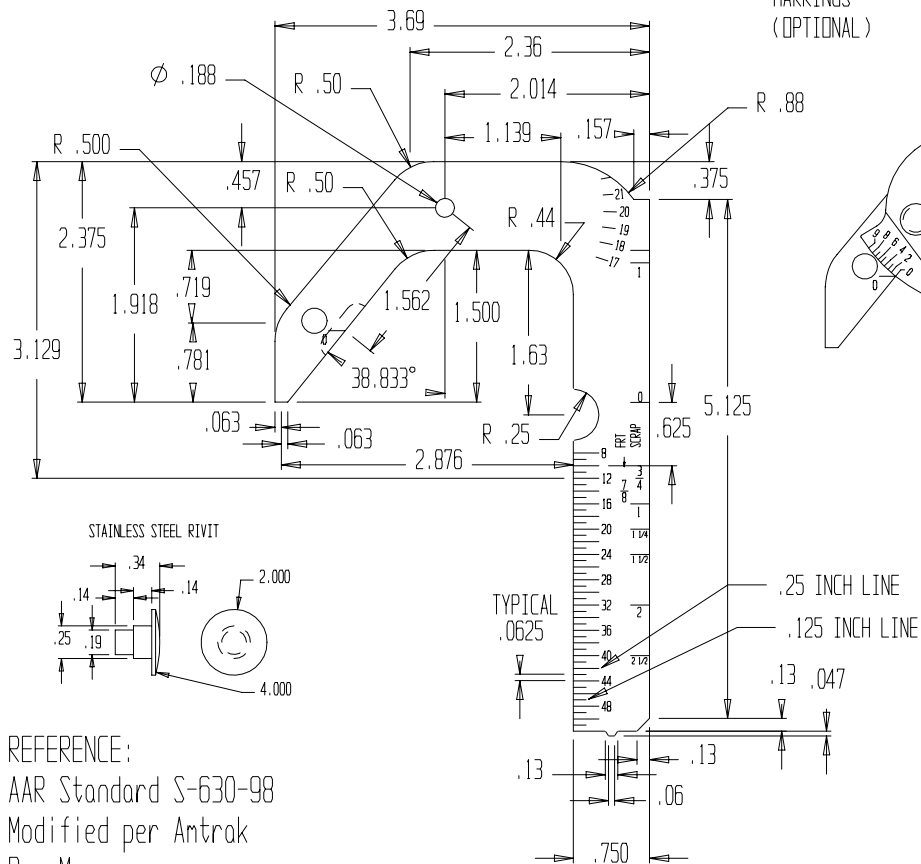
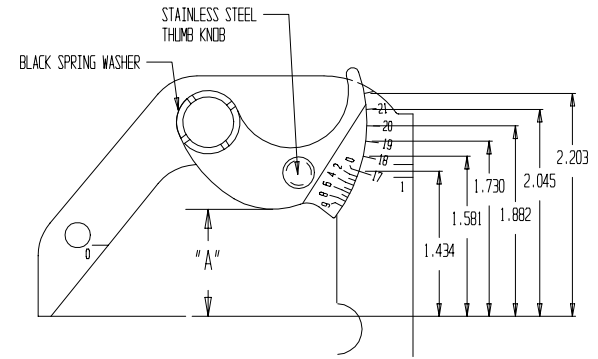


FINGER RADII CENTERS	
0.3125	(0.00, 0.00)
0.251A	(0.00, 0.00)
0.251B	(-0.755726, -0.685488)
1.3125	(0.0536604, -0.999073)
0.7656	(-0.29881, -0.573978)
1.562	(0.00, 0.00)
0.126	(0.00, -1.49899)
0.5625	(0.0332779, -0.874367)
0.1875	(-1.24331, -0.610423)



WIDE FLANGE MARKINGS (OPTIONAL)

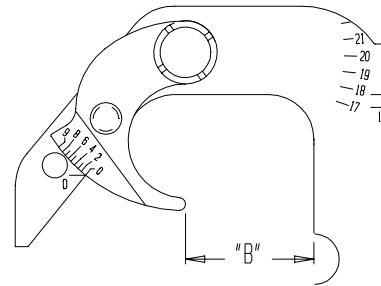
	A	1/16
0 AT 22	1.375	22
0 AT 21	1.313	21
0 AT 20	1.250	20
0 AT 19	1.188	19
0 AT 18	1.125	18
0 AT 17	1.063	17



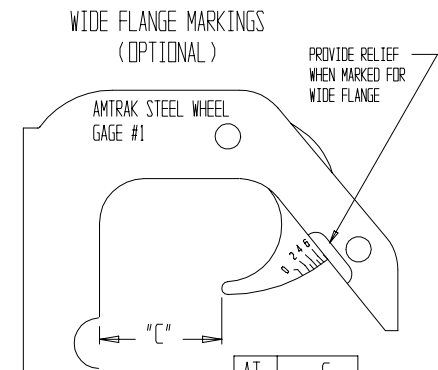
REFERENCE:
AAR Standard S-630-98
Modified per Amtrak
Roy Moyer

FOR BOTH
NARROW AND WIDE FLANGE

SCALE: .5X



AT	B
0	1.264
2	1.210
3	1.168
4	1.120
5	1.070
6	1.034
7	0.995
8	0.951
9	0.894



AT	C
0	1.483
2	1.408
3	1.364
4	1.323
5	1.283
6	1.248
7	1.203
8	1.142
9	1.077
10	0.997
11	0.896

MANUFACTURE TOLERANCE +/- .005
RECERTIFICATION TOLERANCE: +/- .010

WINCHESTER INDUSTRIES INC.

AMTRAK STEEL WHEEL GAGE #1

SIZE	Job#	DWG NO.	Disk	REV
A		W601-4A		A
CUSTOMER	AMTRAK	ENG	JCD 8/30/99	