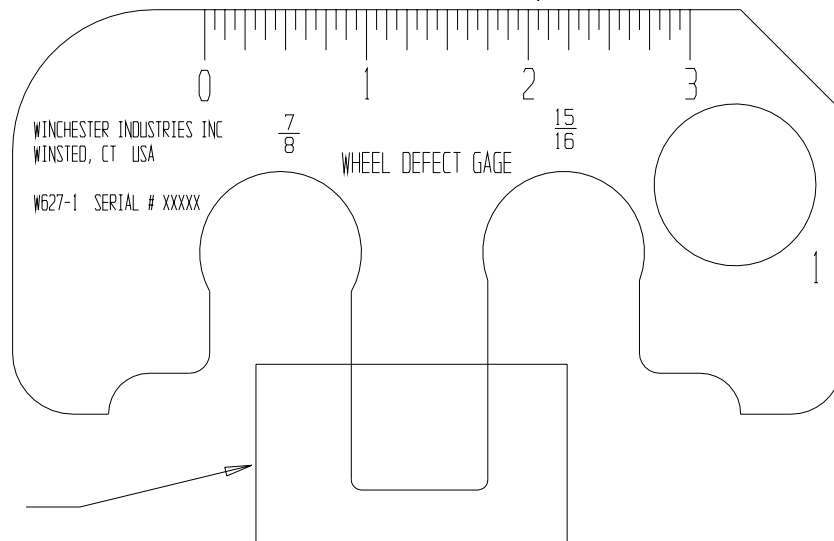
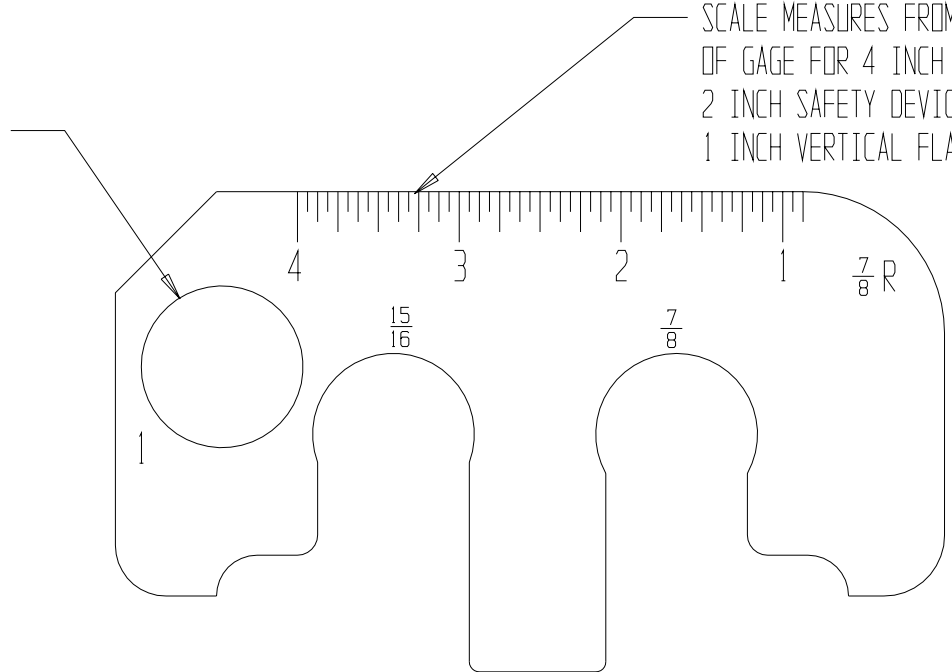


SCALE FOR SLID FLATS



LONGER SECTION PROVIDES ACCURATE THIN FLANGE MEASUREMENT

ONE INCH DIAMETER HOLE FOR SPALLS & SHELL TREAD



RECERTIFICATION WEAR LIMIT ALLOWANCE: .015"

MANUFACTURING TOLERANCE UNLESS OTHERWISE SPECIFIED: +/- .010"

RECERTIFICATION VERIFICATION USING MASTER GAGE W785A AND CERTIFIED SCALE OR VERIFY ALL BOXED DIMENSIONS USING CALIBRATED SCALE

Material:
304 Stainless Steel
Thickness: 3/32"

Scale: .75X

WINCHESTER INDUSTRIES INC.

WHEEL DEFECT GAGE

SIZE A	Job#	DWG NO. W627-1	Disk	REV B
--------	------	----------------	------	-------

CUSTOMER | ENG JCD 12/8/2004