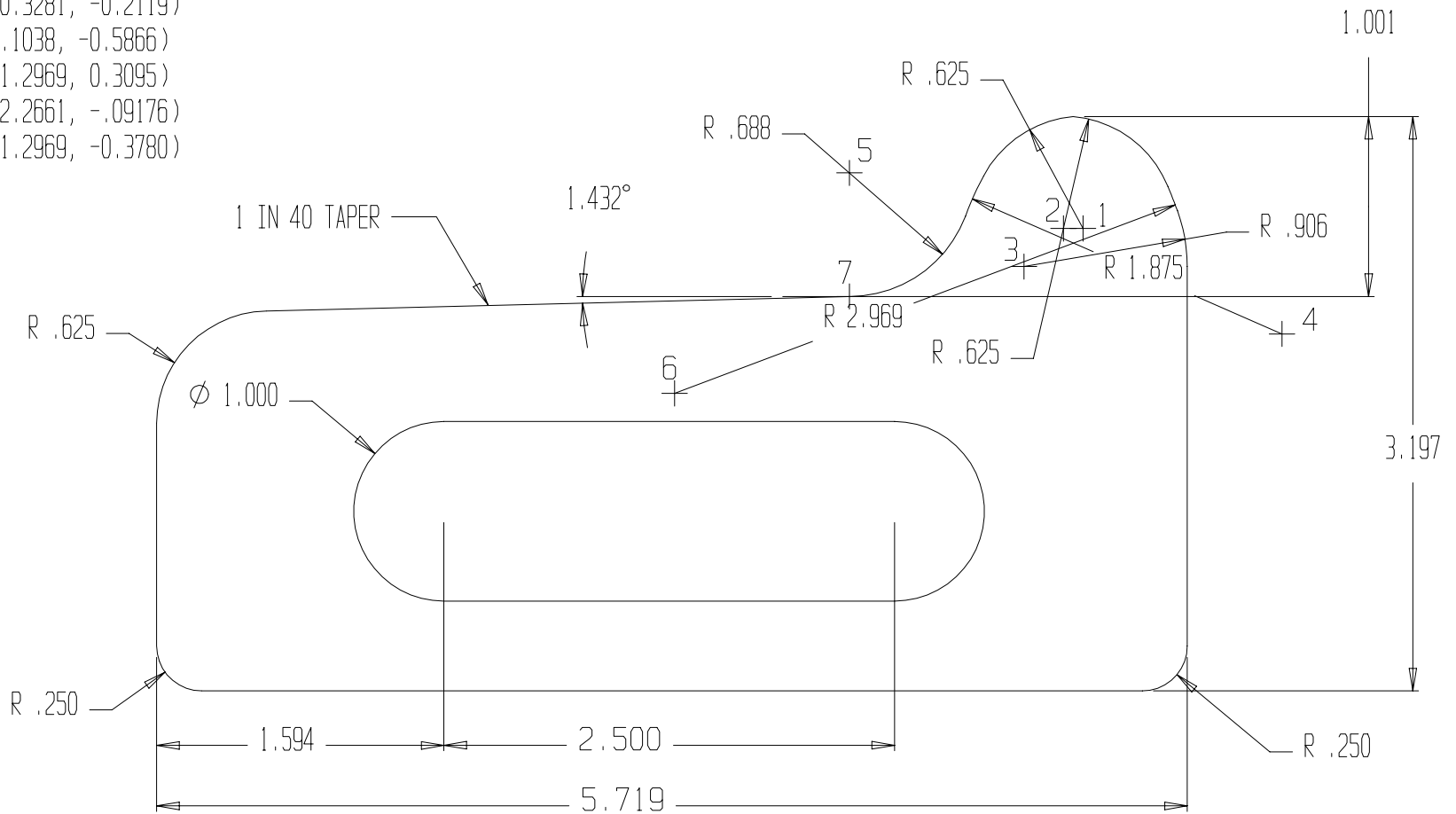


- Point #1 (0.000, 0.000)
- Point #2 (-0.1094, 0.000)
- Point #3 (-0.3281, -0.2119)
- Point #4 (1.1038, -0.5866)
- Point #5 (-1.2969, 0.3095)
- Point #6 (-2.2661, -.09176)
- Point #7 (-1.2969, -0.3780)



NARROW FLANGE
 FLANGE PER Standard S-622-78 & S-623-58
 1 IN 40 TAPER AMTRAK

VERIFY WITH CONTOUR MAPPING
 MAX MANUFACTURE DEVIATION: .003"
 MAX RECERTIFICATION DEVIATION: .005"

Material:
 Stainless Steel 17-7
 Thickness: 1/8"
 Hardened

Scale: 1X

WINCHESTER INDUSTRIES INC.

1 IN 40 TREAD & FLANGE GAGE

SIZE A	Job#	DWG NO. W658	Disk	REV D
CUSTOMER			ENG JCD 04/10/97	