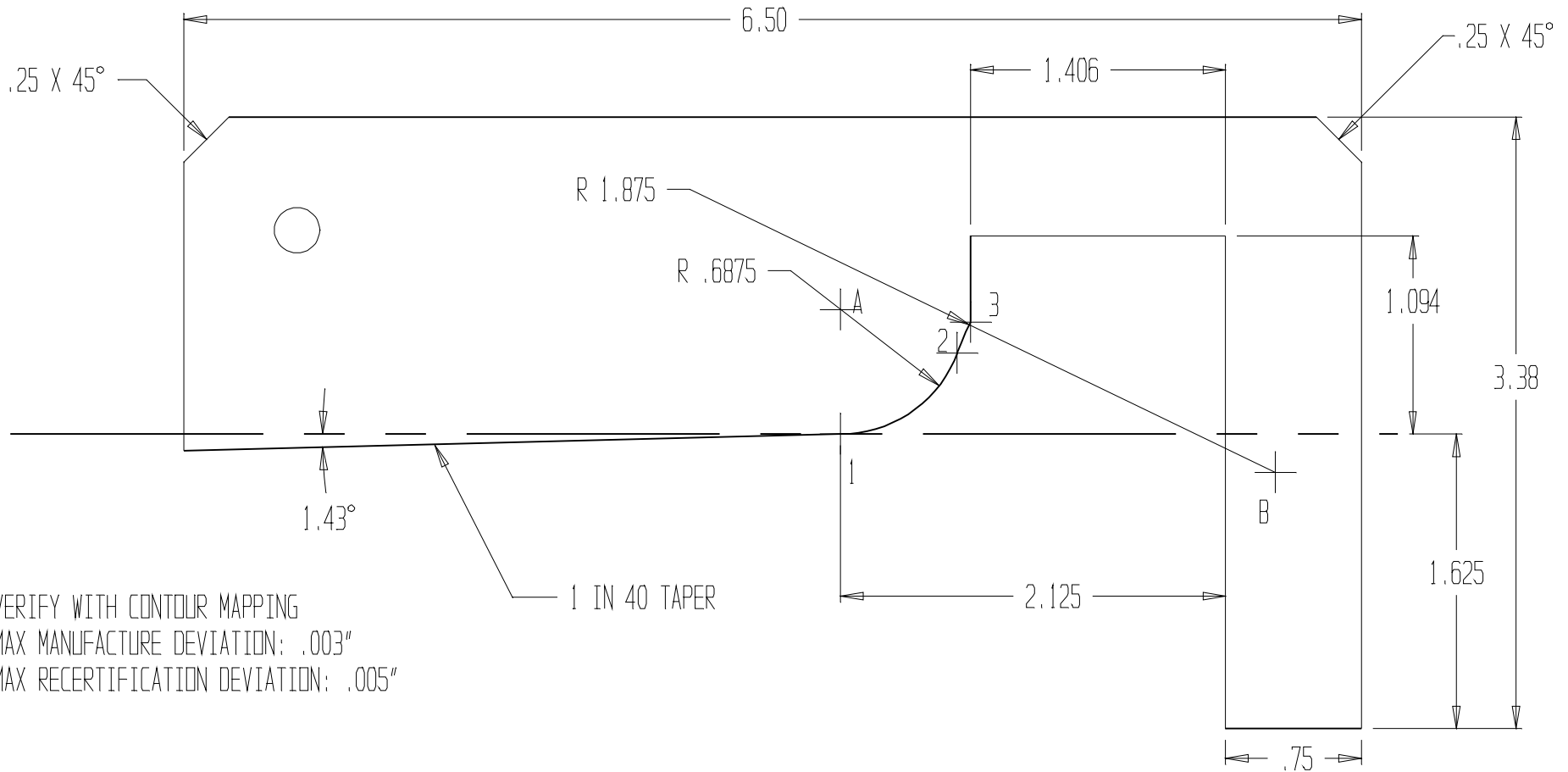


CENTER OF RADII  
 A (0.000, 0.000)  
 B (2.3992, -0.9001)

INTERSECTION POINTS  
 1 (0.000, 0.000)  
 2 (0.6437, -0.2415)  
 3 (0.7187, -0.0685083)



VERIFY WITH CONTOUR MAPPING  
 MAX MANUFACTURE DEVIATION: .003"  
 MAX RECERTIFICATION DEVIATION: .005"

WHEEL CONTOUR ACCEPTANCE GAGE FOR  
 TREAD AND FLANGE CONTOUR FOR NARROW FLANGE  
 STEEL WHEELS ON PASSENGER CARS, DIESEL AND  
 ELECTRIC LOCOMOTIVES, TRAILER AND  
 ENGINE TRUCK WHEELS

Material:  
 Stainless Steel  
 Thickness: 1/8"  
 Hardened

Scale: 1X

WINCHESTER INDUSTRIES INC.

PASSENGER WHEEL CONTOUR ACCEPTANCE GAGE

SIZE A	Job#	DWG NO. W659-2	Disk	REV A
-----------	------	-------------------	------	----------

CUSTOMER AMTRAK      ENG JCD 7/5/2000