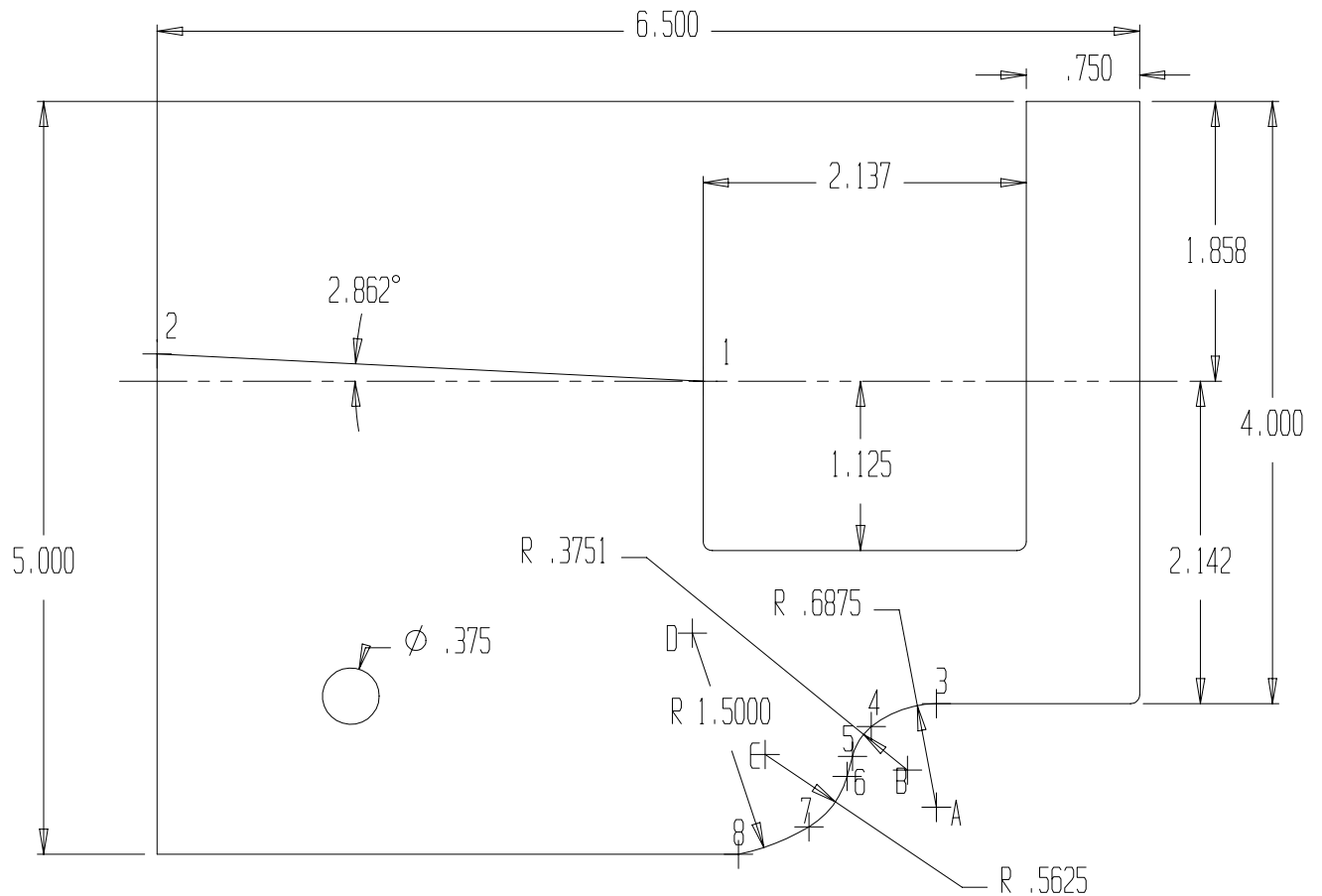


CENTERS OF RADII
 RELATIVE TO GAGE POINT
 A (0.5625, -0.3125)
 B (0.3706, -0.0659)
 C (-0.5720, 0.0387)
 D (-1.0520, 0.8440)

INTERSECTION POINTS
 RELATIVE TO GAGE POINT
 1 (-.981124, 2.51736)
 2 (-4.5937, 2.69799)
 3 (0.5625, 0.3750)
 4 (0.1319, 0.2234)
 5 (0.0068, 0.0255)
 6 (-0.0269, -0.1067)
 7 (-0.2804, -0.4423)
 8 (-0.7487, -0.6250)



VERIFY GAGING PROFILE
 WITH CONTOUR MAPPING
 MAX MANUFACTURE DEVIATION: .003"
 MAX RECERTIFICATION DEVIATION: .005"

PROFILE ACCEPTANCE GAGE
 1 IN 20 TAPER TREAD AND FLANGE CONTOUR
 FOR AAR 1B NARROW FLANGE STEEL WHEELS

Material: Stainless Steel 17-7
 Thickness: 1/8"
 Hardened

SCALE: .75X

WINCHESTER INDUSTRIES INC.

AAR-1B NARROW FLANGE CONTOUR

SIZE A	Job#	DWG NO. W671-2	Disk	REV B
CUSTOMER WINCHESTER			ENG JCD	12/19/97