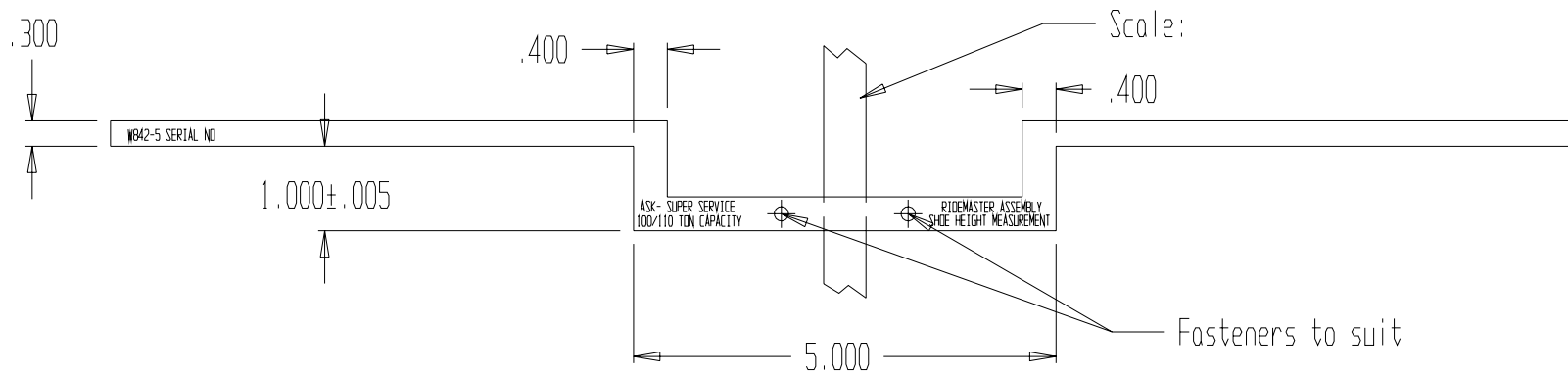


RIDEMASTER is a Registered Trademark
of American Steel Foundries



TOLERANCE UNLESS
OTHERWISE SPECIFIED: +/- .010"

REFERENCE:
ASF MAINTENANCE & REPAIR MANUAL
SUPER SERVICE RIDEMASTER TRUCKS
DATE OF ISSUE 8/14/2002
1-9199

RECERTIFICATION WEAR LIMIT ALLOWANCE +/- .020"
REFERENCE:
AAR D MANUAL
M-214

Material: Stainless Steel 304 Thickness: 3/16"					WINCHESTER INDUSTRIES INC.				
Scale: .4X					SUPER SERVICE RIDEMASTER SHOE HEIGHT GAGE				
SIZE A	Job#	DWG NO.	W842-5	Disk	REV A				
CUSTOMER WINCHESTER				ENG JCD 3/15/2005					