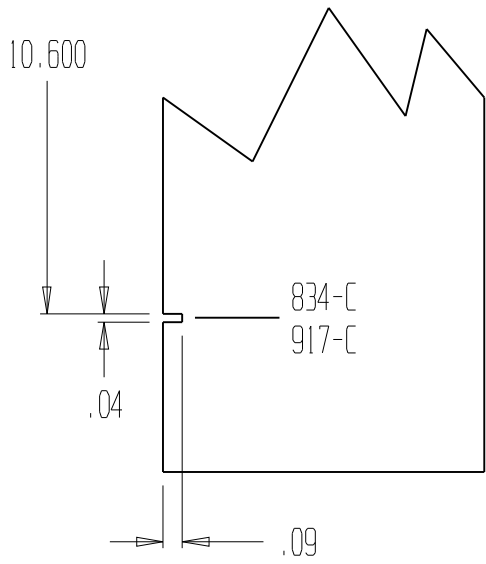


MANUFACTURE TOLERANCES:
 FRACTIONAL: +/- 1/32"
 DECIMAL +/- .005"
 ANGULAR +/- 1/2 Degree

RECERTIFICATION WEAR LIMIT ALLOWANCE +/- .020"
 REFERENCE:
 AAR D MANUAL M-214



DETAIL "A"

REFERENCE:
 DRAWING SK-1595 Revision E

BARBER is Registered Trademark
 of Standard Car Truck Company

Material: 304 Stainless Steel		WINCHESTER INDUSTRIES INC.			
Scale: .35X		FRICITION CASTING CONDEMNING GAGE			
SIZE A	Job#	DWG NO. W893	Disk	REV E	
CUSTOMER WINCHESTER			ENG JCD 7/27/2006		