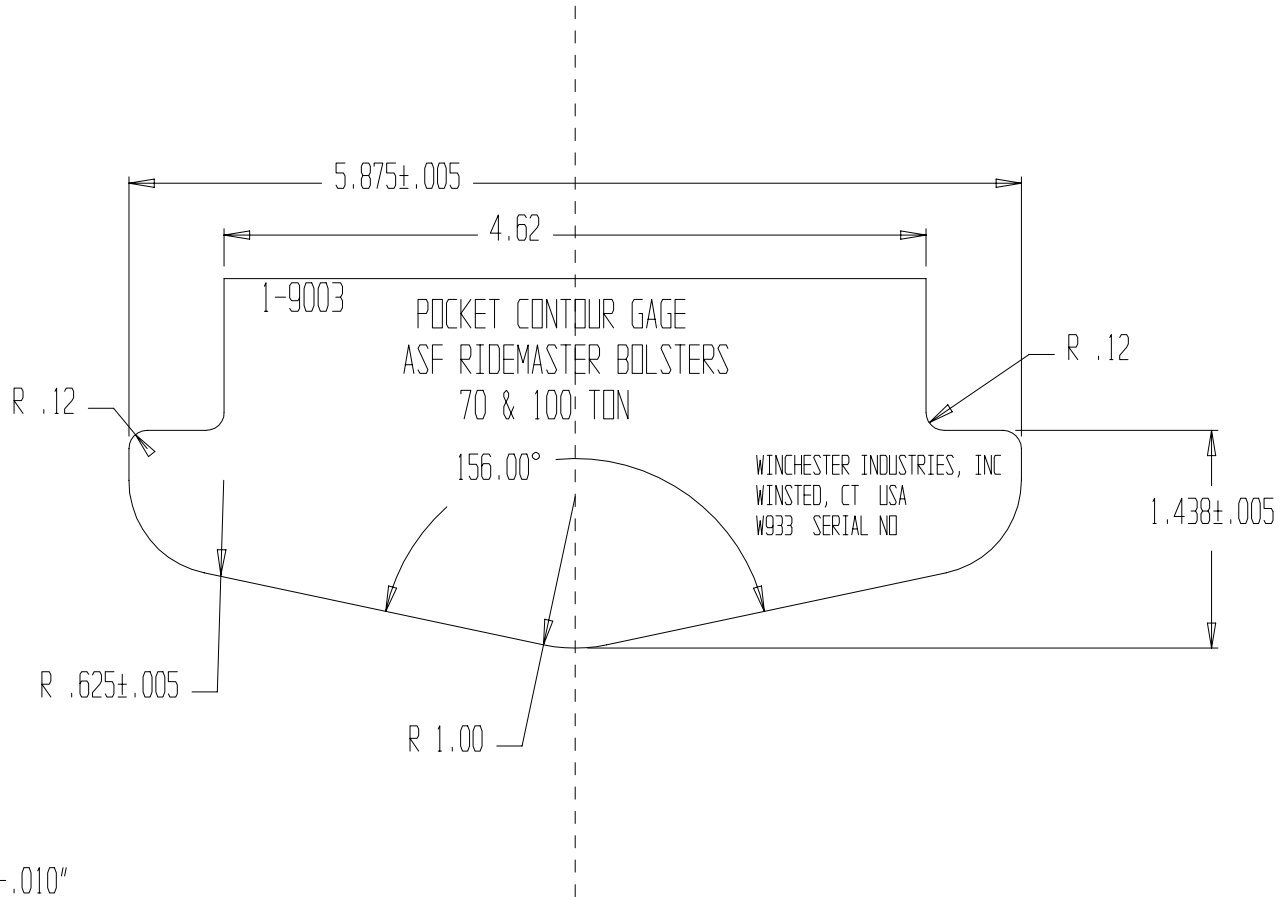


REFERENCE:
 ASF 1-9003
 Maintenance Manual 4/1/95 RM 14



RECERTIFICATION WEAR LIMIT ALLOWANCE +/- .020"
 REFERENCE:
 AAR D MANUAL
 M-214

MANUFACTURE TOLERANCE
 UNLESS OTHERWISE SPECIFIED +/- .010"

Material: Stainless Steel Thickness: 1/8"		WINCHESTER INDUSTRIES INC.			
Scale: .75X		BOLSTER POCKET CONTOUR GAGE			
SIZE A	Job#	DWG NO. W933	Disk	REV A	
CUSTOMER			ENG	JCD 4/30/96	